

**Light efficiency:**

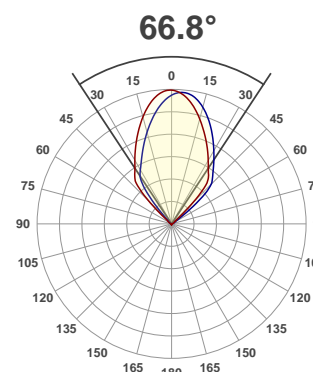
**31 Lumen/Watt**

**Light quality:**

**CRI: 96.1**

**Color temperature:**

**3135 K**



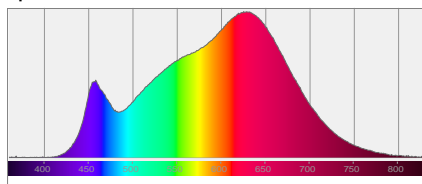
**Product name:**  
**DTW Blinder 700 IP**

**Test:**  
**WW**

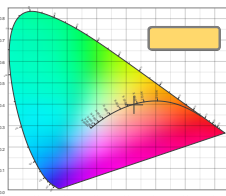
**Date:**  
**5/9/2017**

**Output: 11022 lm Power consumption: 360 W Peak: 9486 cd**

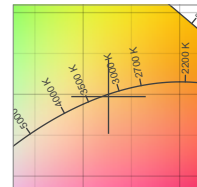
**Spectral distribution**



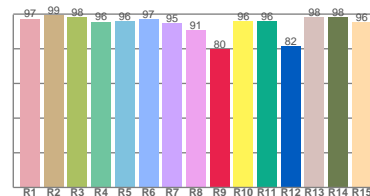
**Color coordinates**



**Zoom color point**

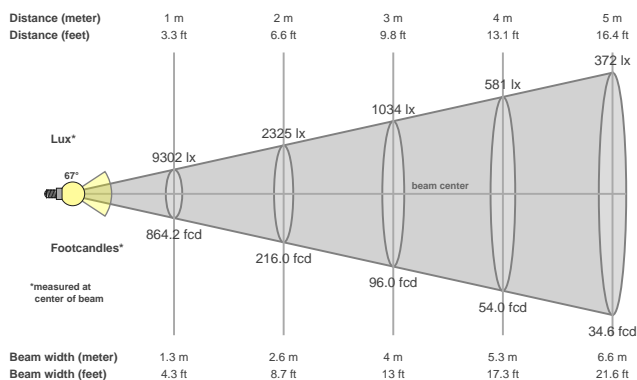


**CRI R values**



Color temperature	Color rendering index	Red component	Color fidelity	Color gamut	Color quality scale	Color coordinate cie 1931	Color coordinate cie 1931	Color coordinate	Color coordinate	Color divition from black body
CCT	CRI	CRI R9	TM30 Rf	TM30 Rg	CQS	x	y	u	v	Δuv
3135 K	96.1	80.0	91.4	98.9	93.1	0.426	0.397	0.247	0.345	0.0012

**Beam details**



**Beam angles**

Beam angle 50%	Field angle 10%	Cutoff angle 2,5%
66.8°	96.7°	118.1°

**Beam intensities**

Peak intensity	Int. ratio in 120° cone	Int. ratio in 90° cone
9486 cd	1.0%	0.9%

**Power**

Power	Power factor	Power frequency
360 W	1.0	0 Hz

Nominal voltage	Voltage	Current
230 V	112 V	3.23 A

**Beam intensities from 1-20m**

1m	2m	3m	4m	5m	6m	7m	8m	9m	10m	11m	12m	13m	14m	15m	16m	17m	18m	19m	20m
3.3ft	6.6ft	9.8ft	13.1ft	16.4ft	19.7ft	23ft	26.2ft	29.5ft	32.8ft	36.1ft	39.4ft	42.7ft	45.9ft	49.2ft	52.5ft	55.8ft	59.1ft	62.3ft	65.6ft
9302lx	2325lx	1034lx	581lx	372lx	258lx	190lx	145lx	115lx	93lx	77lx	65lx	55lx	47lx	41lx	36lx	32lx	29lx	26lx	23lx
864.2fcd	216fcd	96fcd	54fcd	34.6fcd	24fcd	17.6fcd	13.5fcd	10.7fcd	8.6fcd	7.1fcd	6fcd	5.1fcd	4.4fcd	3.8fcd	3.4fcd	3fcd	2.7fcd	2.4fcd	2.2fcd